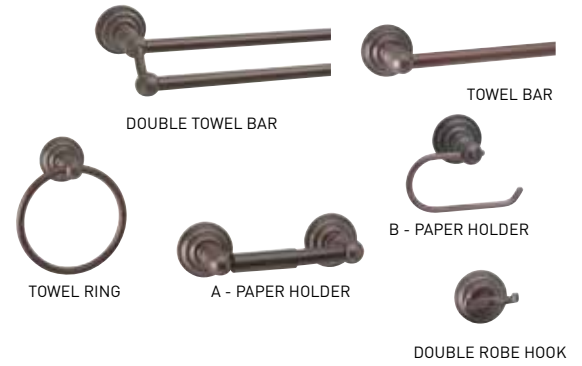


FEATURES

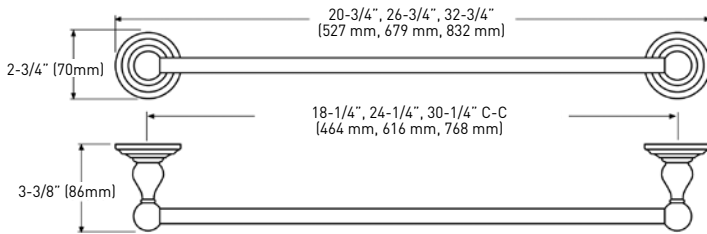
- INCLUDES SOLID ZINC DIE CAST MOUNTING PLATES: 2-3/16" x 1" [56 mm x 25 mm]; NYLON ANCHORS AND STEEL PHILLIPS HEAD SCREWS: #8 x 1-1/4" [32 mm]
- ZINC DIE-CAST CONSTRUCTION (POSTS)



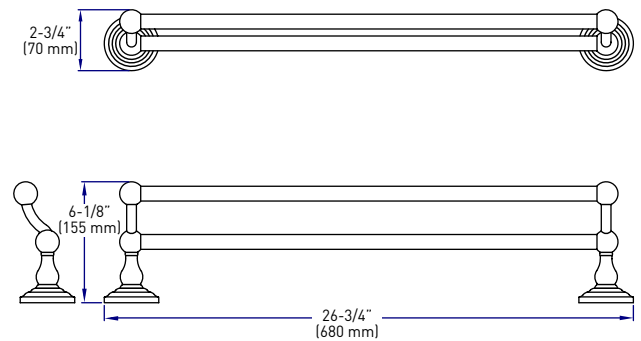
LIMITED LIFETIME WARRANTY



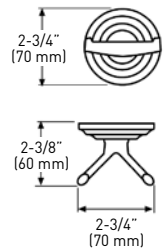
TOWEL BAR



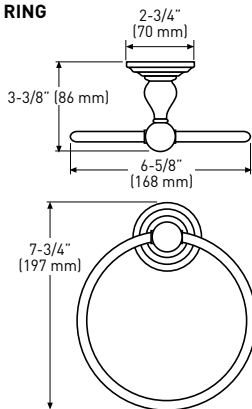
DOUBLE TOWEL BAR



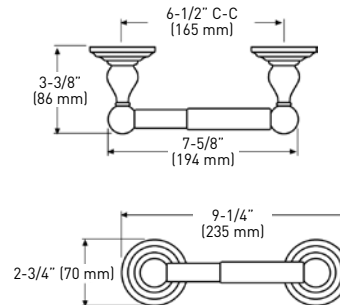
DOUBLE ROBE HOOK



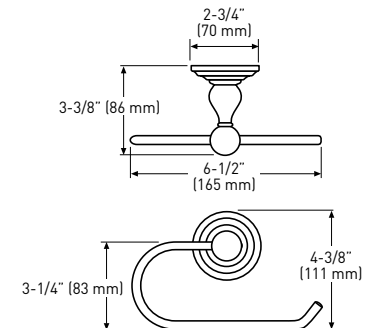
TOWEL RING



STANDARD PAPER HOLDER



PAPER HOLDER/TOWEL HOLDER



RETAIL PACK	OIL RUBBED BRONZE 10B	MATERIAL	CASE QTY.
TOWEL BAR - 18"	02-D6218BRN	ZINC & ALUMINUM	4
TOWEL BAR - 24"	02-D6224BRN	ZINC & ALUMINUM	4
TOWEL BAR - 30"	02-D6230BRN	ZINC & ALUMINUM	4
DOUBLE TOWEL BAR - 24"	02-D6224DBRN	ZINC & ALUMINUM	4
DOUBLE ROBE HOOK	02-D6202BRN	ZINC	4
A - PAPER HOLDER	02-D6208BRN	ZINC & PLASTIC	4
B - PAPER HOLDER	02-D6248BRN	ZINC & STEEL	4
TOWEL RING	02-D6204BRN	ZINC & ALUMINUM	4

MEASUREMENTS SUBJECT TO A 3% VARIANCE

MEASUREMENTS ARE FOR REFERENCE ONLY. TAYMOR RESERVES THE RIGHT TO CHANGE THE PRODUCT SPECS WITHOUT NOTICE. FOR PRODUCT WARRANTY, PLEASE VISIT TAYMOR WEBSITE FOR DETAILS

