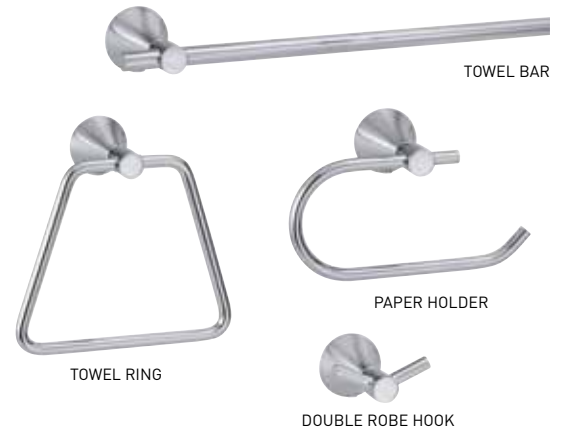
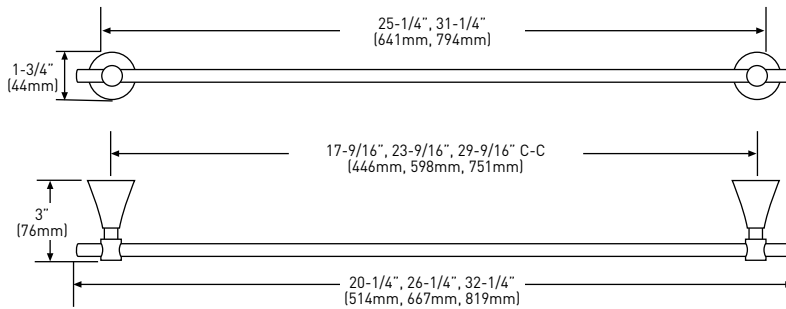


## FEATURES

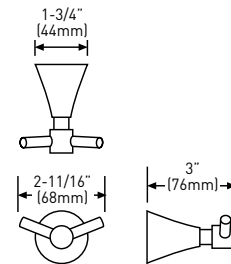
- › INCLUDES SOLID ZINC DIE CAST MOUNTING PLATES: 1-3/16" x 1-3/16" (30 mm x 30 mm); NYLON ANCHORS AND STEEL PHILLIPS HEAD SCREWS: #8 x 1-1/4" (32 mm)
- › ZINC DIE-CAST CONSTRUCTION (POSTS)



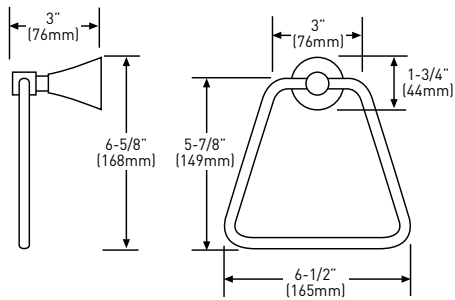
### TOWEL BAR



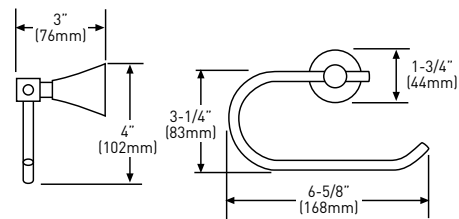
### DOUBLE ROBE HOOK



### TOWEL RING



### PAPER HOLDER/TOWEL HOLDER



| RETAIL PACK      | POLISHED CHROME 26 | MATERIAL        | CASE QTY. |
|------------------|--------------------|-----------------|-----------|
| TOWEL BAR - 24"  | 02-D2424           | ZINC & BRASS    | 4         |
| TOWEL BAR - 30"  | 02-D2430           | ZINC & BRASS    | 4         |
| DOUBLE ROBE HOOK | 02-D2402           | ZINC            | 4         |
| PAPER HOLDER     | 02-D2448           | ZINC & STEEL    | 4         |
| TOWEL RING       | 02-D2404           | ZINC & ALUMINUM | 4         |

MEASUREMENTS SUBJECT TO A 3% VARIANCE

MEASUREMENTS ARE FOR REFERENCE ONLY. TAYMOR RESERVES THE RIGHT TO CHANGE THE PRODUCT SPECS WITHOUT NOTICE. FOR PRODUCT WARRANTY, PLEASE VISIT TAYMOR WEBSITE FOR DETAILS

