

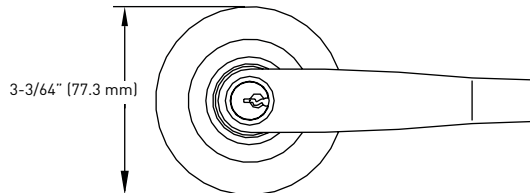
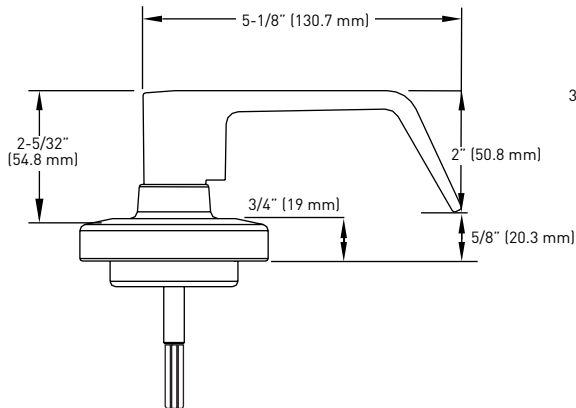
Taymor

# EXIT HARDWARE

**8500 & 9700 SERIES LEVER  
EXTERIOR TRIM**  
BUILDER PACK



LEVER  
TRIM



## FEATURES

- NEW ENHANCEMENTS** MEETS OR EXCEEDS BHMA/ANSI GRADE 1 ULTRA-HEAVY DUTY ACTUATING MECHANISM
- COMPATIBILITY** ALL 8500 & 9700 SERIES PUSH PAD EXIT DEVICES
- FINISHES** SATIN CHROME (C26D)
- FUNCTIONS** ENTRY\*, STOREROOM, PASSAGE
- CYLINDER** RIM CYLINDER WITH 6 PIN SCHLAGE 'C' KEYWAY FOR STOREROOM FUNCTION MORTISE CYLINDER (1-1/8" DEPTH) WITH 6 PIN SCHLAGE 'C' KEYWAY FOR ENTRY FUNCTION

\*ENTRY FUNCTION ALSO SERVES AS CLASSROOM FUNCTION

LEVER TRIMS



	C26D SATIN CHROME	CASE PACK
ENTRY FUNCTION* - SCHLAGE "C" KEYWAY	17-LEVEL	6
STOREROOM FUNCTION - TRIM MOUNTING PLATE INCLUDED (17-PPMTMP)	17-SRLEVEL	6
PASSAGE FUNCTION	17-PALEVSC	6