

Whitman 6'8"		
All dimensions nominal before prefit and bevel.		
DW	A	B
3-0	26.5	4.75
2-10	22.5	5.75
2-8	22.5	4.75
2-6	20.5	4.75
2-4	18.5	4.75
2-2	15.5	5.25
2-0	15.5	4.25
1-10	11.5	5.25
1-8	11.5	4.25
1-6	9.25	4.38
Bottom Rail Dimension Complies with ADA Requirements.		

# Whitman

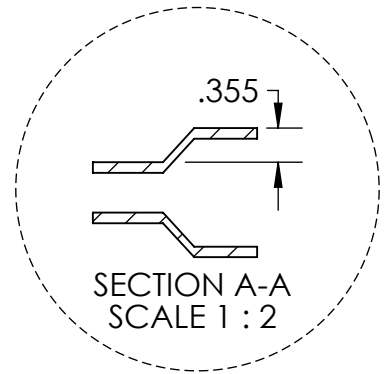
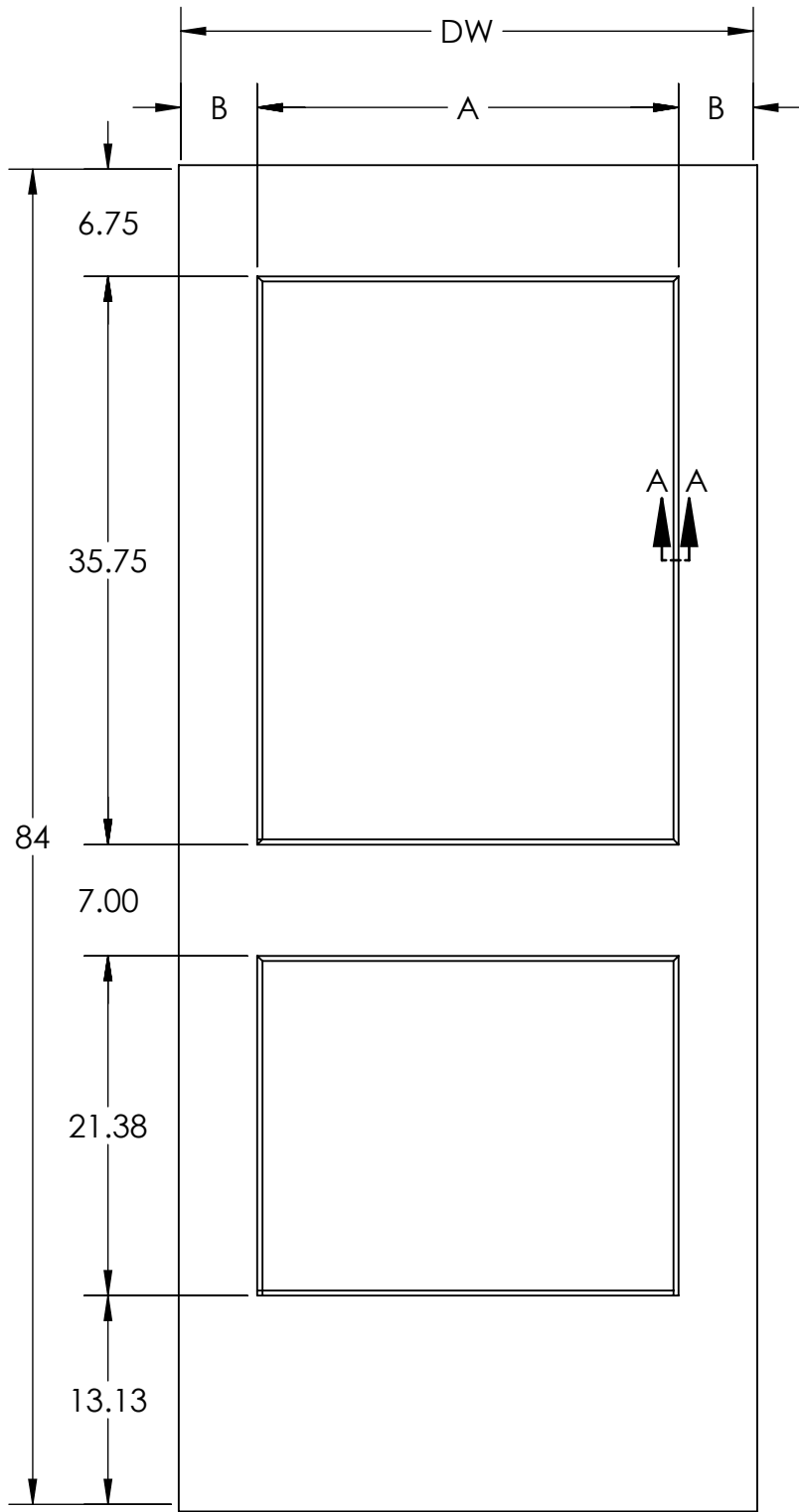
## Molded Profile Door



DIMENSIONS ARE IN: Inches  
 DOOR TOLERANCES  
 WIDTH (FULL WIDTH): ±1/16  
 WIDTH (PREFIT): ±1/32  
 HEIGHT: ±1/16  
 SQUARE: ±1/8

THE INFORMATION CONTAINED IN THIS DRAWING IS THE SOLE PROPERTY OF Lynden Door, Inc. ANY REPRODUCTION IN PART OR AS A WHOLE WITHOUT THE WRITTEN PERMISSION OF Lynden Door, Inc. IS PROHIBITED.

A04-00041 1/6/17



Whitman 7'0"		
All dimensions nominal before prefit and bevel.		
DW	A	B
3-0	26.5	4.75
2-10	22.5	5.75
2-8	22.5	4.75
2-6	20.5	4.75
2-4	18.5	4.75
2-2	15.5	5.25
2-0	15.5	4.25
1-10	11.5	5.25
1-8	11.5	4.25
1-6	9.25	4.38
Bottom Rail Dimension Complies with ADA Requirements.		

# Whitman

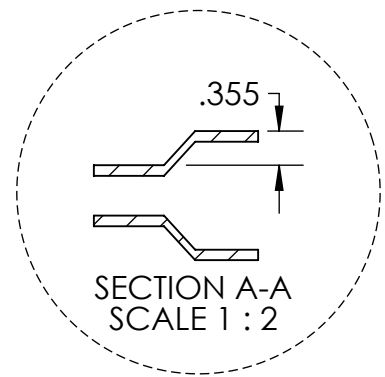
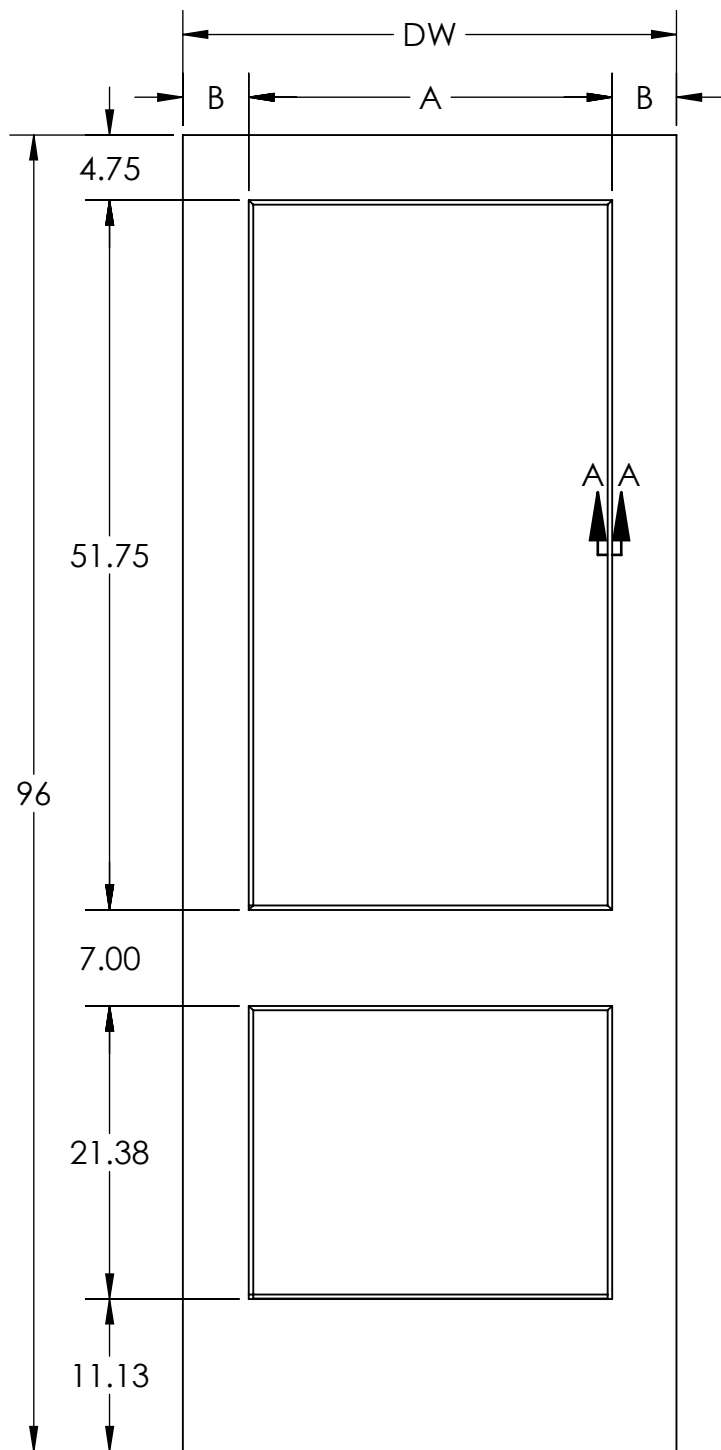
## Molded Profile Door



DIMENSIONS ARE IN: Inches  
 DOOR TOLERANCES  
 WIDTH (FULL WIDTH):  $\pm 1/16$   
 WIDTH (PREFIT):  $\pm 1/32$   
 HEIGHT:  $\pm 1/16$   
 SQUARE:  $\pm 1/8$

THE INFORMATION CONTAINED IN THIS DRAWING IS THE  
 SOLE PROPERTY OF Lynden Door, Inc. ANY  
 REPRODUCTION IN PART OR AS A WHOLE WITHOUT THE  
 WRITTEN PERMISSION OF Lynden Door, Inc. IS PROHIBITED.

A04-00041 1/6/17



Whitman 8'0"		
All dimensions nominal before prefit and bevel.		
DW	A	B
3-0	26.5	4.75
2-10	22.5	5.75
2-8	22.5	4.75
2-6	20.5	4.75
2-4	18.5	4.75
2-2*	18.5	3.75
2-0	15.5	4.25
1-10*	15.5	3.25
1-8*	15.5	2.25
1-6	9.25	4.38
Bottom Rail Dimension Complies with ADA Requirements.		
*Contact factory regarding availability of wider stile options.		

# Whitman

## Molded Profile Door



DIMENSIONS ARE IN: Inches  
 DOOR TOLERANCES  
 WIDTH (FULL WIDTH):  $\pm 1/16$   
 WIDTH (PREFIT):  $\pm 1/32$   
 HEIGHT:  $\pm 1/16$   
 SQUARE:  $\pm 1/8$

THE INFORMATION CONTAINED IN THIS DRAWING IS THE SOLE PROPERTY OF Lynden Door, Inc. ANY REPRODUCTION IN PART OR AS A WHOLE WITHOUT THE WRITTEN PERMISSION OF Lynden Door, Inc. IS PROHIBITED.

A04-00041 1/6/17