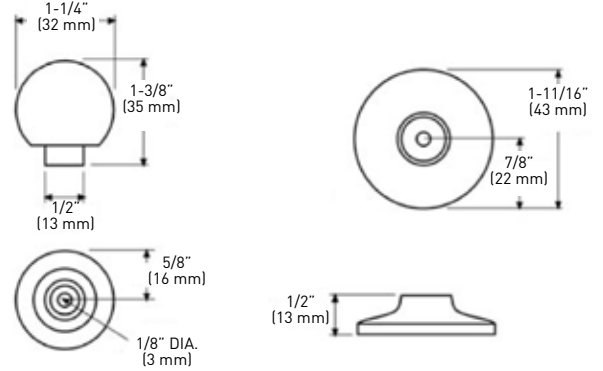


CLOSET AND CABINET HARDWARE

**PEDESTAL KNOB WITH
REMOVABLE BACKPLATE**

- › ZINC DIE-CAST CONSTRUCTION
- › 1-1/4" (32 mm) ROUND DIAMETER
- › 1-11/16" DIA. (43 mm) BACK PLATE
- › INCLUDES 2" (51 mm) BREAK-OFF SCREW



POLY BAGGED WITH UPC

1-3/8" (35 mm) DEEP

10B+
AGED
BRONZE

20-B10500RB

15
SATIN
NICKEL

20-B1050SN

17A
ANTIQUÉ
NICKEL

20-B1050AN

26D
SATIN
CHROME

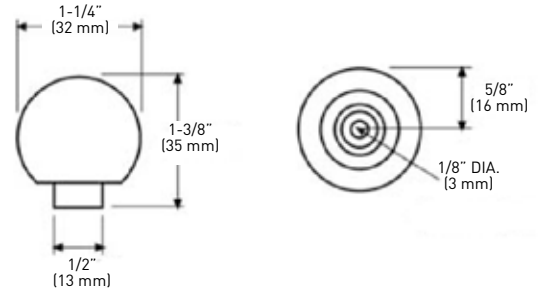
20-B1050SC

**CASE
PACK**

25

PEDESTAL KNOB ONLY

- › ZINC DIE-CAST CONSTRUCTION
- › 1-1/4" (32 mm) ROUND DIAMETER
- › INCLUDES 2" (51 mm) BREAK-OFF SCREW



POLY BAGGED WITH UPC

1-3/8" (35 mm) DEEP

15
SATIN
NICKEL

20-B1048SN

26D
SATIN
CHROME

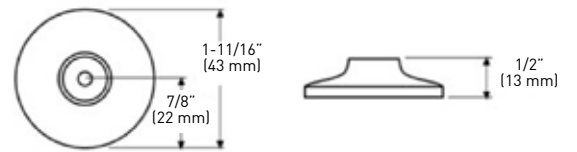
20-B1048SC

**CASE
PACK**

25

BACKPLATE ONLY

- › ZINC DIE-CAST CONSTRUCTION
- › BACK PLATE FOR 20-B1048
- › 1-11/16" DIA. (43 mm)



POLY BAGGED WITH UPC

BACK PLATE ONLY

15
SATIN
NICKEL

20-B1049SN

**CASE
PACK**

25

BREAK-OFF SCREWS

- › 2" (51 mm)
- › FITS PEDESTAL KNOBS (20-B1048 & 20-B1050)



BULK

BREAK-OFF SCREWS

CHROME PLATED

20-B050

**CASE
PACK**

500