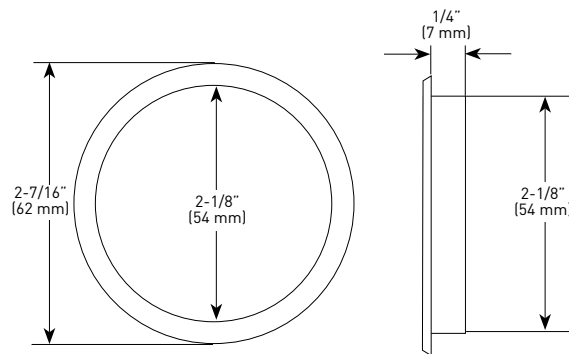


SPECIFICATIONS

- › STEEL CONSTRUCTION
- › FOR USE ON SLIDING DOORS AND PANELS
- › PRESSURE FIT
- › FITS 2-1/8" (54 mm) BORE HOLE SIZE



ROUND DOOR PULL



MEASUREMENTS SUBJECT TO A 3% VARIANCE

MEASUREMENTS ARE FOR REFERENCE ONLY. TAYMOR RESERVES THE RIGHT TO CHANGE THE PRODUCT SPECS WITHOUT NOTICE. FOR PRODUCT WARRANTY, PLEASE VISIT TAYMOR WEBSITE FOR DETAILS

Round Door Pulls

POLY BAGGED WITH UPC	OIL RUBBED BRONZE 10B	SATIN NICKEL 15	MATTE BLACK 19	POLISHED CHROME 26	SATIN CHROME 26D	CASE QTY.
	20-L29000RB	20-L2900SN	20-L2900BLK	25-L2900PC	20-L2900SC	150

