

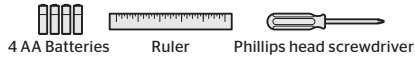
# OBSIDIAN

TOUCHSCREEN ELECTRONIC DEADBOLT

Installation and User Guide

ENGLISH

**Required tools**



Additional Tools (depending on application)



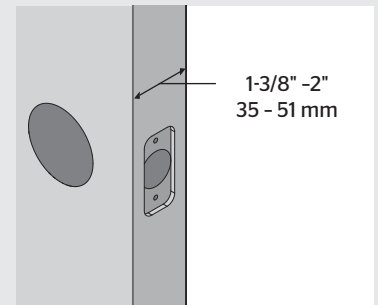
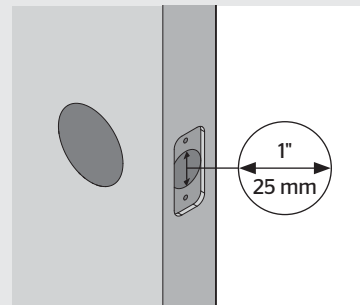
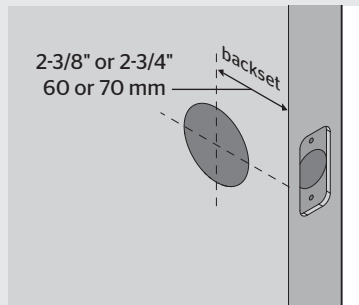
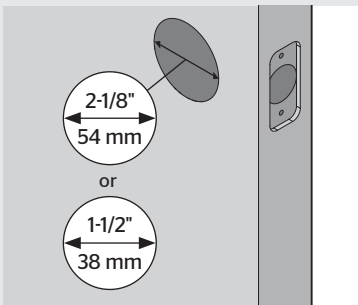
**Weiser  
Technical Support**  
1-800-501-9471  
www.weiserlock.com

Parts in the box												
<b>Latches</b> 	<b>Interior Assembly</b> 	<b>Exterior Touchscreen</b> 										
<b>Strike</b> 	<b>Adapter Ring</b> 	<b>Fasteners</b> <table border="1"> <tr> <td>03809 <b>K</b> </td> <td>SL03031011 <b>M</b> <b>N</b> </td> </tr> <tr> <td><b>L</b> </td> <td><b>P</b> </td> </tr> <tr> <td>64843 <b>Q</b>  (1-3/8" • 35 mm)</td> <td>64844 <b>R</b>  (1-3/4" • 44 mm)</td> </tr> <tr> <td>64845 <b>S</b>  (2" • 51 mm)</td> <td>49191 <b>T</b> </td> </tr> <tr> <td></td> <td>64109 <b>U</b> </td> </tr> </table>	03809 <b>K</b> 	SL03031011 <b>M</b> <b>N</b> 	<b>L</b> 	<b>P</b> 	64843 <b>Q</b>  (1-3/8" • 35 mm)	64844 <b>R</b>  (1-3/4" • 44 mm)	64845 <b>S</b>  (2" • 51 mm)	49191 <b>T</b> 		64109 <b>U</b> 
03809 <b>K</b> 	SL03031011 <b>M</b> <b>N</b> 											
<b>L</b> 	<b>P</b> 											
64843 <b>Q</b>  (1-3/8" • 35 mm)	64844 <b>R</b>  (1-3/4" • 44 mm)											
64845 <b>S</b>  (2" • 51 mm)	49191 <b>T</b> 											
	64109 <b>U</b> 											
	<b>Mounting Plate</b> 											

## 1 Prepare the door and check dimensions

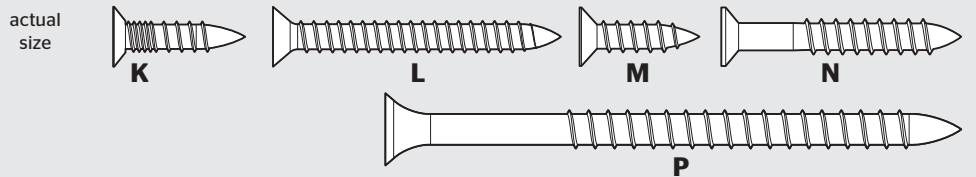
If drilling a new door, use the supplied template and the complete door drilling instructions available at [www.weiserlock.com/doorprep](http://www.weiserlock.com/doorprep)

- A** Measure to confirm that the hole in the door is either 2-1/8" (54 mm) or 1-1/2" (38 mm).
- B** Measure to confirm that the backset is either 2-3/8" or 2-3/4" (60 or 70 mm).
- C** Measure to confirm that the hole in the door edge is 1" (25 mm).
- D** Measure to confirm that the door is between 1-3/8" and 2" (35 mm and 51 mm) thick.



Note: Additional door preparation may be required for doors with 1-1/2" (38 mm) holes. Consult the deadbolt drilling instructions at [www.weiserlock.com/doorprep](http://www.weiserlock.com/doorprep)

## 2 Install the latch and strike



- A** Is the door edge chiseled?  

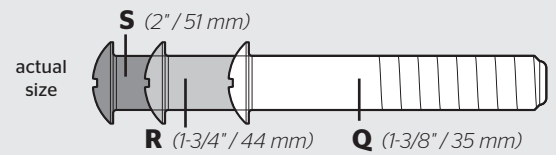
<b>YES</b>  Use latch "A". If the latch bolt is not already extended, extend the latch bolt as shown.	<b>NO</b>  Use latch "B". If the latch bolt is not already extended, extend the latch bolt as shown.
---	--
- B** Hold the latch in front of the door hole, with the latch face flush against the door edge.
- C** Is the D-shaped hole centered in the door hole?  

<b>YES</b>  No adjustment is required. Proceed to next step.	<b>NO</b>  Rotate latch face as shown to extend latch.
--	--
- D** Which latch are you installing?  

<b>Latch "A"</b>  K or L (2x)	<b>Latch "B"</b>  wood block
-------------------------------------	------------------------------------
- E** Install strike on the door frame.  

⚠ Make sure the hole in the door frame is drilled a minimum of 1" (25 mm) deep.

### 3 Install the exterior touchscreen



**A** What is the diameter of the hole in the door?

**Diameter is 2-1/8" (54 mm)**

"D" is required for installation. Install "D" on "F".

**Diameter is 1-1/2" (38 mm)**

"D" is not needed for installation. Discard "D".

**B** What is the thickness of your door?

**1-3/8" (35 mm)**

Use the shorter gold screws.

**Q**

**1-3/4" (44 mm)**

Use the medium silver screws.

**R**

**2" (51 mm)**

Use the longer black screws.

**S**

**C** Install exterior touchscreen and mounting plate.

**a**

Cable goes underneath latch.

**b**

Support exterior assembly during mounting plate installation.

Route cable through center hole, then push cable into bottom hole.

**c** Tighten screws evenly.

Keep parallel to edge of door.

**Q, R, or S (2x)**

**d**

Insert the tip of a Phillips screwdriver into the torque blade.

Apply slight pressure while rotating the torque blade to test for smooth latch operation.

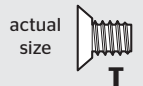
If the latch does not retract and extend smoothly, adjust the mounting screws.

**e**

Make sure the latch bolt is fully extended.

extended

### 4 Install the interior assembly



**A** Remove battery cover and battery pack from interior assembly.

**a**

Make sure turnpiece is in the vertical position.

**b**

**c**

Do not install batteries until step 5.

**B** Install interior assembly onto mounting plate.

**a**

align

Ensure tight cable connection.

**b**

Lay excess cable flat inside the bottom of the interior housing.

**c**

**d**

**T (2x)**

bottom hole

### 5 Install the batteries and perform the door handing process

This step will teach your lock the orientation of your door and is crucial to lock operation.

**A** Install 4 AA batteries in battery pack.

**H**

Ensure correct polarity. For best results, use new, non-rechargeable Alkaline batteries only.

**B** Make sure the door is open, and insert the battery pack.

**H**

**C** After a few seconds, the latch bolt will retract and extend on its own to learn the orientation of the door. This is called the **door handing process**, and it is crucial to lock operation.

Once the door handing process is complete, the touchscreen will indicate success or failure:

1 4 7 ✓	3 6 9 ✓	1 3 5 9 7 9
------------------	------------------	-------------------

**Success:** flashing checkmark symbol and single column of digits

**Failure:** flashing "X" pattern

**D** If the touchscreen indicates a failure make sure that the cables are connected, the batteries are installed correctly, and attempt this procedure again.

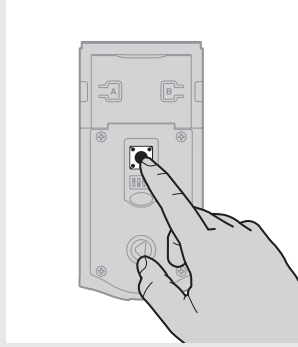
If the door handing process is still unsuccessful after a second attempt, perform the "Manual Door Handing" procedure on page 4.

## 6 Add user codes (16 max)

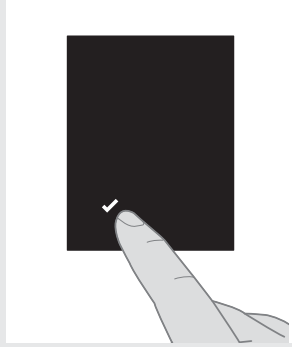
### Programming Timeout

During programming, if the screen is not pressed for 20 seconds, the system will time out (indicated by three beeps and the "X" pattern flashing three times), and you will need to restart the procedure.

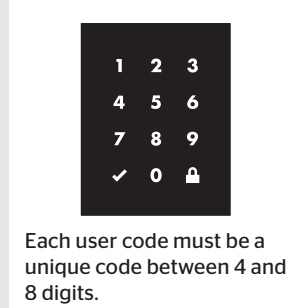
**A** Make sure the door is open. Press the Program button once.



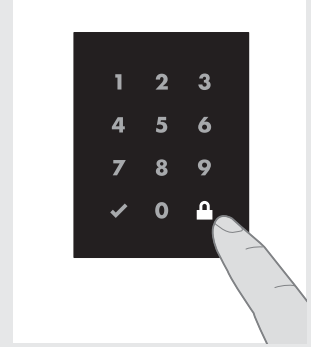
**B** Press checkmark symbol once.



**C** Enter user code. A total of 16 user codes may be programmed.



**D** Press lock symbol once.



**E** What digits and sounds did the lock produce?

### Mastercode

For enhanced security, a mastercode may be used when adding and deleting user codes. For more information about the mastercode, download the Programming and Troubleshooting Guide on the Obsidian page at [www.weiserlock.com](http://www.weiserlock.com).

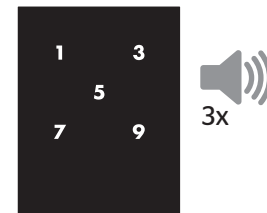
### Checkmark symbol with one beep



Programming was successful.

or

### "X" pattern with three beeps



Programming was unsuccessful.

Make sure the user code is not a duplicate and that it is between 4 and 8 digits during your next attempt.

Make sure the lock has room for an additional code. If all user code positions are filled, delete a code to make room for this one.

\*Beeping sound will only be heard if switch #3 (on the lock interior) is in the on position. See "Switches and Status LED Colors" on page 4.

## 7 Test the lock (review normal operation)

Confirm that the code(s) added in previous step can unlock the door.

### Activating the Screen

#### Option 1

Touch screen with palm or back of hand until digits illuminate.



#### Option 2

Touch lower left area of screen (where checkmark is located) until digits illuminate.



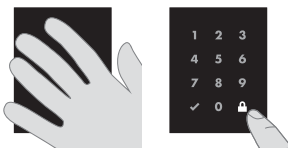
#### Option 3

Touch screen with three or more fingers until digits illuminate.



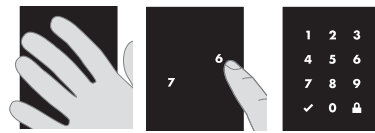
### Locking the Door

1. Activate the screen.
  2. Press Lock symbol.
- Note: If no user codes are programmed, the door cannot be locked via touchscreen.



### Unlocking the Door

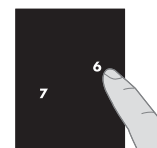
1. Activate the screen.
2. If SecureScreen is enabled, touch the random digits that appear.
3. Enter user code.



If you press the wrong digit while entering a user code, you can press the Lock symbol once to clear the digits entered previously and immediately restart the code entry process.

### SecureScreen™

SecureScreen is an added-security feature that displays random digits before you enter a user code to unlock the door. This feature ensures that there are fingerprints on all digits so that codes cannot be identified by examining the touchscreen for fingerprints.

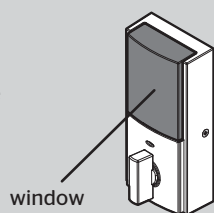


If desired, this feature can be disabled by turning switch #4 to the off position. See "Switches" on page 4.

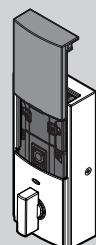
## 8 Install the interior cover

### Important Information about the interior cover

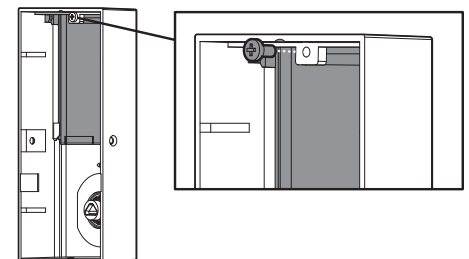
The window on the interior cover is locked by default to prevent someone from tampering with your lock's settings.




If you wish to unlock the window, you can slide it up for more convenient access to the programming buttons while the cover is installed.



To unlock the window, remove the security screw.

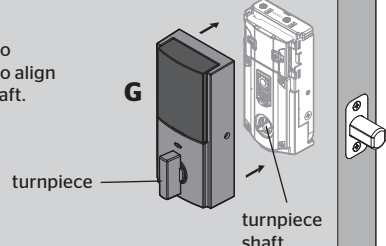


actual size   
**U**

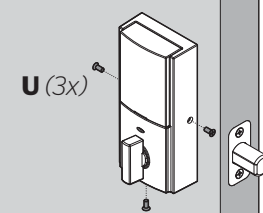
### Cover Installation

#### a Install cover.

Note: You may need to rotate the turnpiece to align with the turnpiece shaft.

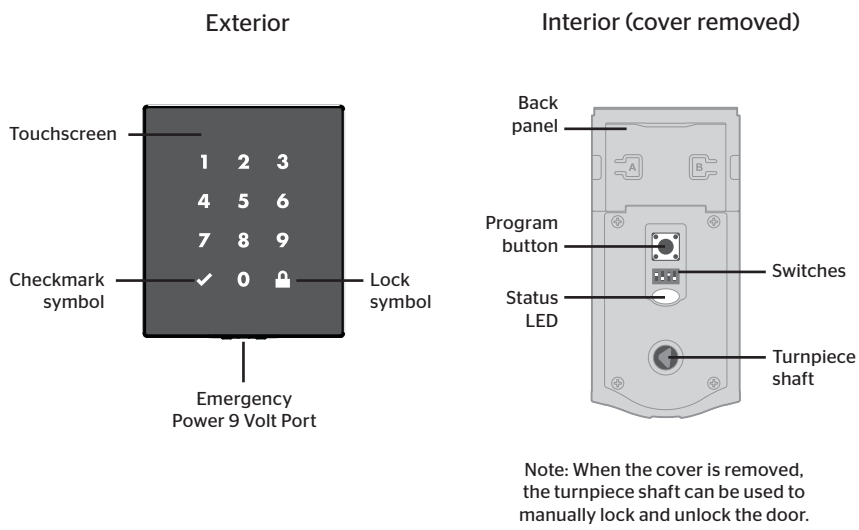


#### b Install screws.



Note: The interior cover and screws must be removed for battery pack access.

### Obsidian at a Glance



### System Alerts

Display	Alert	Reason	Solution
	"X" pattern flashes one time with one beep*.	One incorrect code entered.	Re-enter code.
	"X" pattern flashes three times with three beeps*.	No user code programmed.	Program at least one user code.
		Programming timeout after 20 seconds.	Attempt programming procedure again.
	"X" pattern flashes 15 times with 15 beeps*.	Unsuccessful programming.	
		Three incorrect codes entered within one minute.	Re-enter code after 60 second touchscreen lockout.
	Checkmark and lock symbols flash simultaneously five times with long continuous beep*.	Low battery.	Replace batteries.
		Door jammed while attempting to lock.	Manually re-lock door. If needed, reposition strike.
N/A	Lock beeps continuously.	Interior assembly is disconnected from exterior.	Remove battery pack, reconnect the interior to the exterior, then replace battery pack.

\*Beeping sound will only be heard if switch #3 is on.

### Switches and Status LED Colors



Switch	Function
1	Door lock status LED blinks every 6 seconds
2	Lock automatically re-locks door 30 seconds after unlocking. Disabled if no codes are programmed.
3	Audio
4	SecureScreen feature displays random digits to be pressed before entering user code. This added-security feature ensures that there are fingerprints on all digits so that codes cannot be identified by examining the touchscreen for fingerprints.

Color	Lock Status
Blinking green	Unlocked
Blinking amber	Locked
Blinking red	Low battery

### Manual Door Handing

If needed, the door handing process can be initiated manually. This is useful if the lock is being moved to a different door.

- Remove battery pack.
- Press and HOLD the Program button while reinserting the battery pack. Release button once battery pack is installed. The status LED will flash red and green.
- Press the Program button once more.
- The latch bolt will extend and retract to learn the orientation of the door.

**Success**

**Failure**

If the touchscreen indicates a failure, see the online Programming and Troubleshooting Guide or call Technical Support.

### Deleting a single user code

Note: All codes may be deleted at once if the mastercode is enabled. For more information about the mastercode, consult the online Programming and Troubleshooting Guide.

- Keep door open. Press Program button once.
- Press Checkmark symbol once.
- Press Lock symbol once.
- Enter user code to be deleted.
- Press Lock symbol once.
- Re-enter user code.
- Press Lock symbol once.

**If unsuccessful**  
Make sure to enter the same valid code in steps 4 and 6.

**Test code**  
While the door is open, test the user code to make sure it no longer unlocks the door.

If the screen is not pressed for 20 seconds, the system will time out, and you will need to restart the procedure.

### Factory Reset

A factory reset will delete all codes associated with the lock, and it will remove it from your smart home system.

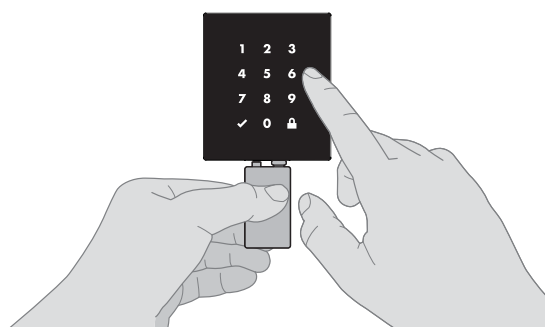
- Remove battery pack.
- Press and HOLD the Program button while reinserting the battery pack. Keep holding the button for 30 seconds until the lock beeps and the status LED flashes red.
- Press the Program button once more. The status LED will flash green and red several times.
- After a few seconds, the lock will initiate the door handing process, and the latch bolt will extend and retract to learn the orientation of the door.

### Low Battery

If the 4 AA batteries are too low to operate the lock, use a 9-Volt Alkaline battery to temporarily power the touchscreen.

Make sure both terminals on the 9-Volt battery touch the terminals at the bottom of the touchscreen. Hold the 9-Volt in place while entering your user code to unlock the door. Continue holding the 9-Volt in position until the Checkmark symbol illuminates and the door unlocks.

Note: If you remove the battery before the Checkmark symbol illuminates, you will need to re-enter your user code



### Important Safeguards

1. Read all instructions in their entirety.
2. Familiarize yourself with all warning and caution statements.
3. Remind all family members of safety precautions.
4. Protect your user codes and mastercode.
5. Dispose of used batteries according to local laws and regulations.

**CAUTION:** Prevent unauthorized entry. Since anyone with access to the back panel can change the user codes, you must restrict access to the back panel and routinely check the user codes to ensure they have not been altered without your knowledge. The use of a mastercode can help protect your system's settings.

**WARNING:** This Manufacturer advises that no lock can provide complete security by itself. This lock may be defeated by forcible or technical means, or evaded by entry elsewhere on the property. No lock can substitute for caution, awareness of your environment, and common sense. Builder's hardware is available in multiple performance grades to suit the application. In order to enhance security and reduce risk, you should consult a qualified locksmith or other security professional.